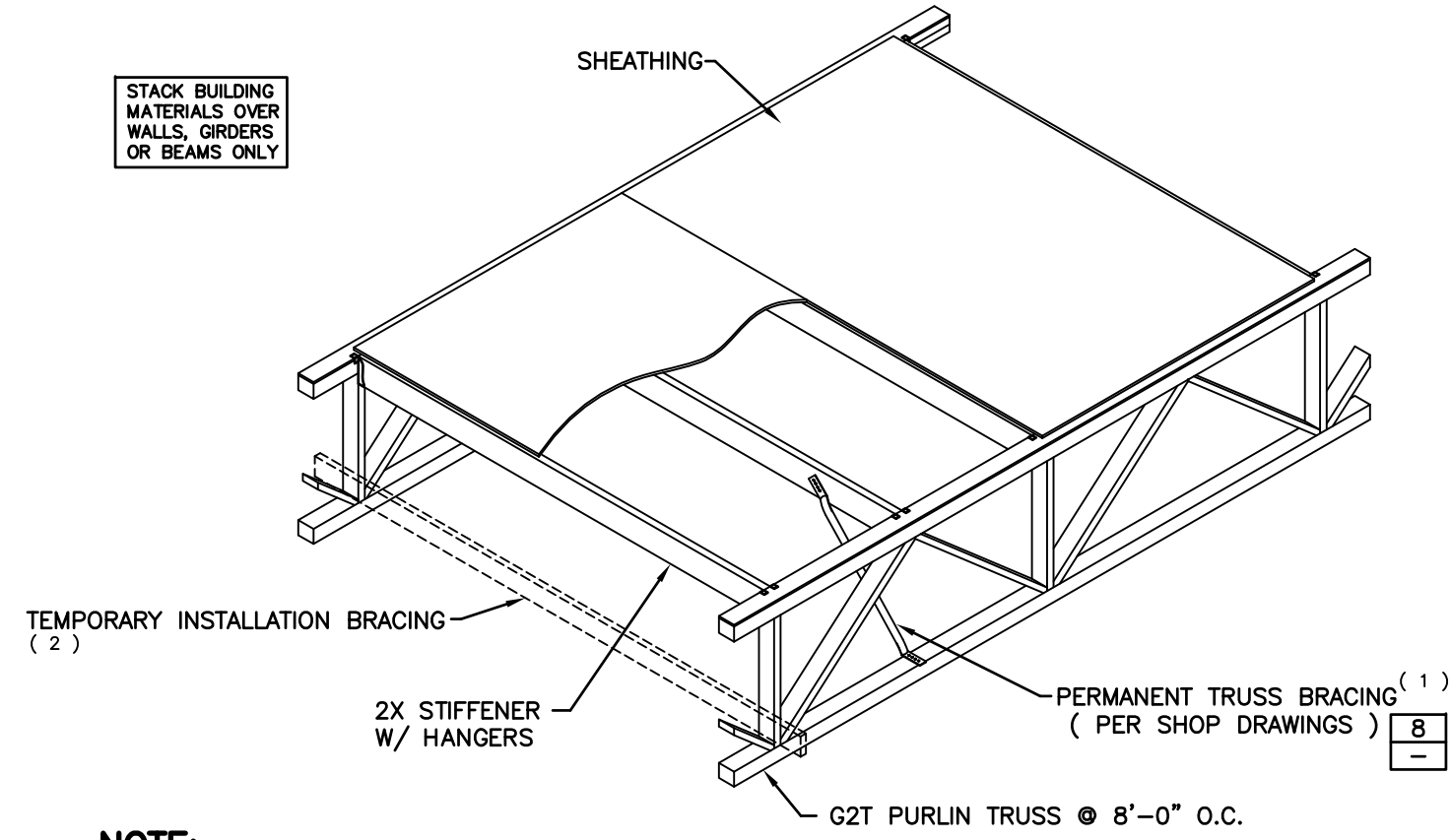


ATTENTION

NO ONE SHOULD BE ALLOWED ON ANY G2T TRUSS UNTIL ALL HANGERS & CROSS BRIDGING, IF REQ'D, AND TEMPORARY BRACING ARE IN PLACE AND NAILED SECURELY. SERIOUS ACCIDENTS MAY OCCUR UNLESS CARE IS TAKEN TO PROPERLY BRACE DURING CONSTRUCTION. THIS DETAIL SHOULD BE USED AS A GUIDELINE FOR BRACING.

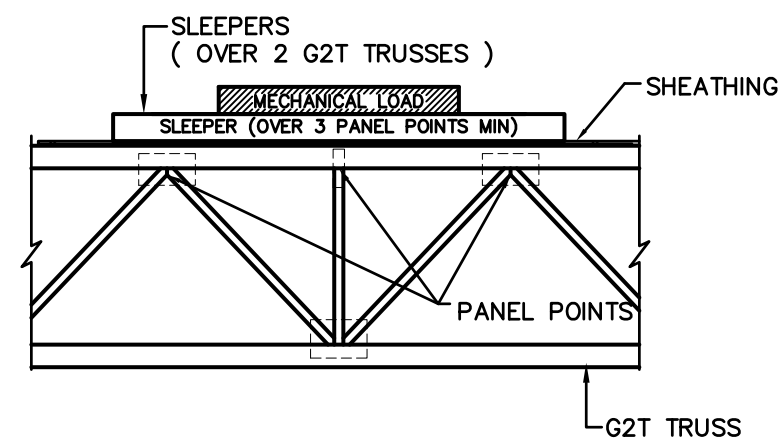
STACK BUILDING MATERIALS OVER WALLS, GIRDERS OR BEAMS ONLY



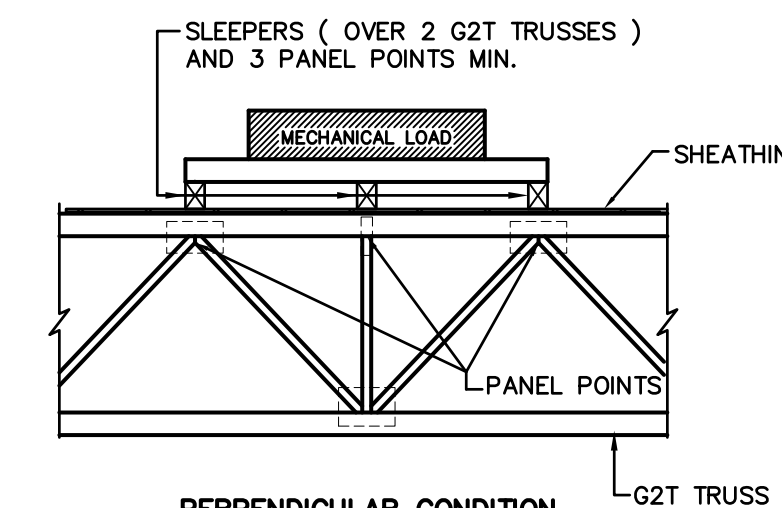
NOTE:

- (1) PERMANENT BRACING SHALL BE PER FABRICATOR'S RECOMMENDATIONS. IF PERMANENT BRACING IS USED AS THE INSTALLATION BRACING, IT MUST BE INSTALLED AS EACH TRUSS IS PLACED. A MINIMUM OF TWO (2) INSTALLATION BRACES ARE REQUIRED AT ALL SPANS GREATER THAN 32'-0".
- (2) INSTALLATION BRACING IN ADDITION TO OR IN LEIU OF PERMANENT TRUSS BRACING TO BE DESIGNED AND INSTALLED BY THE INSTALLATION CONTRACTOR.

1 ERECTION BRACING



PARALLEL CONDITION



PERPENDICULAR CONDITION

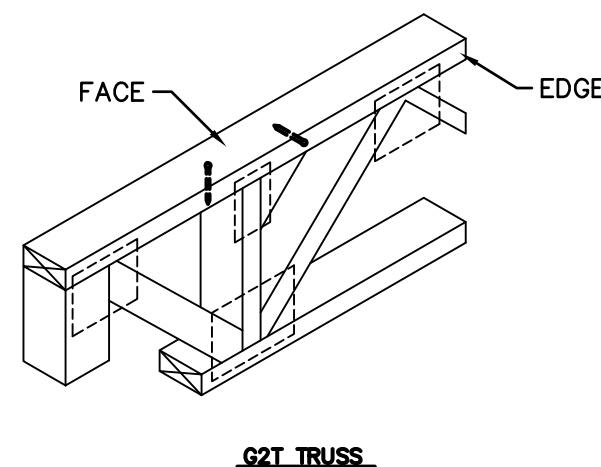
NOTES

- COORDINATE MECHANICAL LOCATIONS WITH LAYOUT AND G2T CALCULATIONS
- SLEEPERS MUST BE LOCATED AT PANEL POINTS

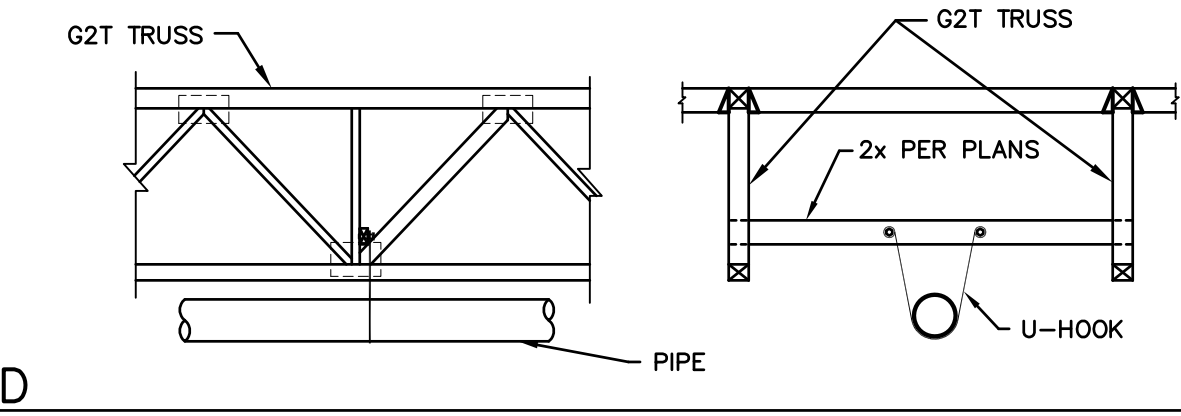
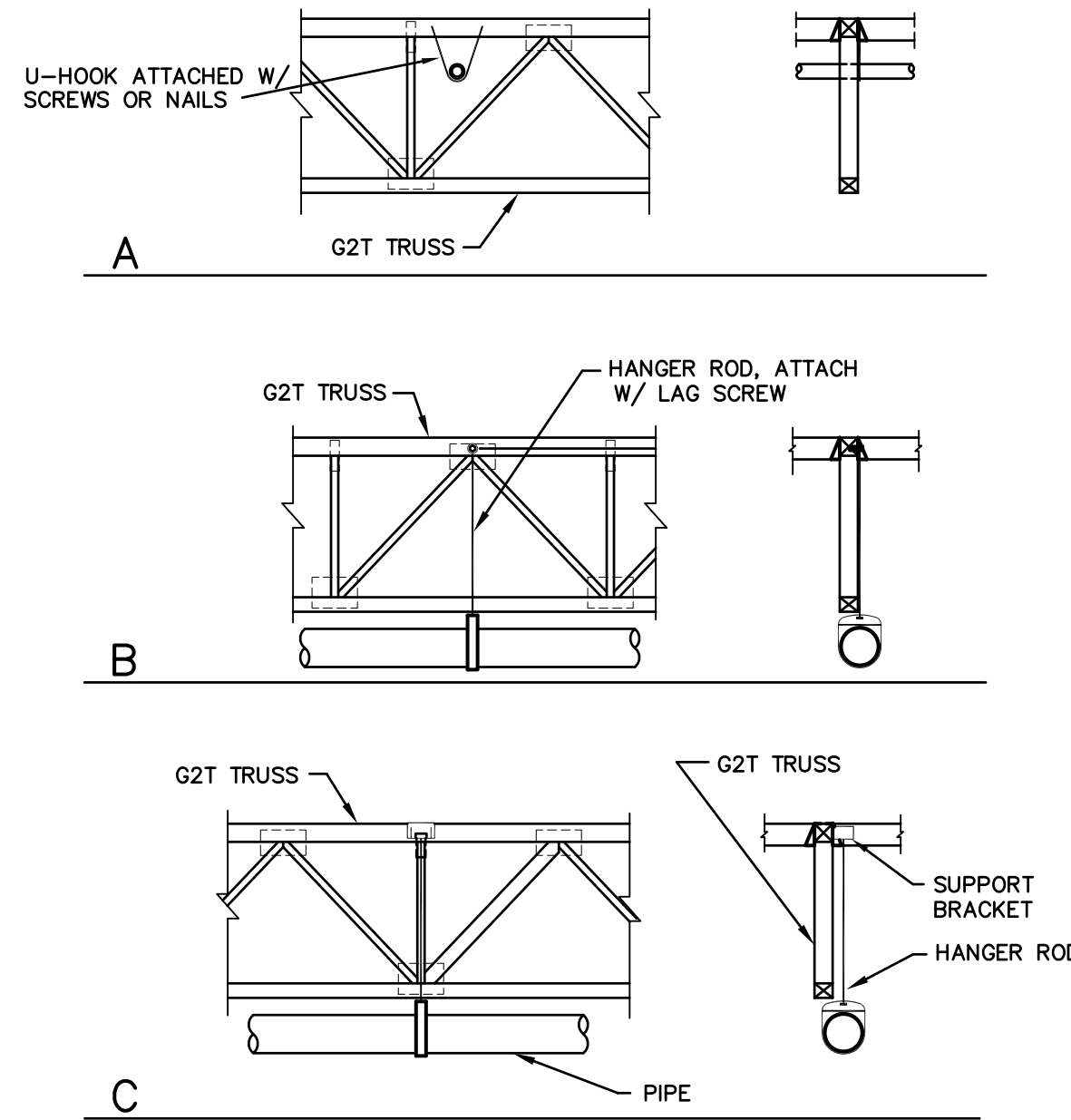
2 MECHANICAL LOADS ON G2T TRUSSES

G2T TRUSS NAILING CHART (MINIMUM ON CENTER SPACING)

NAIL TYPE	NAIL SIZE	MSR (M)		LSL (L)		LVL (V)	
		FACE	EDGE	FACE	EDGE	FACE	EDGE
8d	BOX 0.113"x2 1/2"	2"	2"	3"	3"	1"	2"
	COMMON 0.131"x2 1/2"	2"	2"	3"	3"	1"	3"
10d	BOX 0.128"x3"	2"	2"	3"	3"	1"	3"
	COMMON 0.148"x3"	3"	4"	3"	4"	1"	4"
12d	BOX 0.128"x3 1/4"	3"	2"	3"	3"	1"	3"
	COMMON 0.148"x3 1/4"	3"	4"	3"	4"	1"	4"
16d	BOX 0.135"x3 1/2"	3"	3"	3"	4"	2"	3"
	SINKER 0.148"x3 1/4"	3"	4"	3"	6"	2"	4"
COMMON	0.162"x3 1/2"	4"	6"	3"	6"	2"	6"



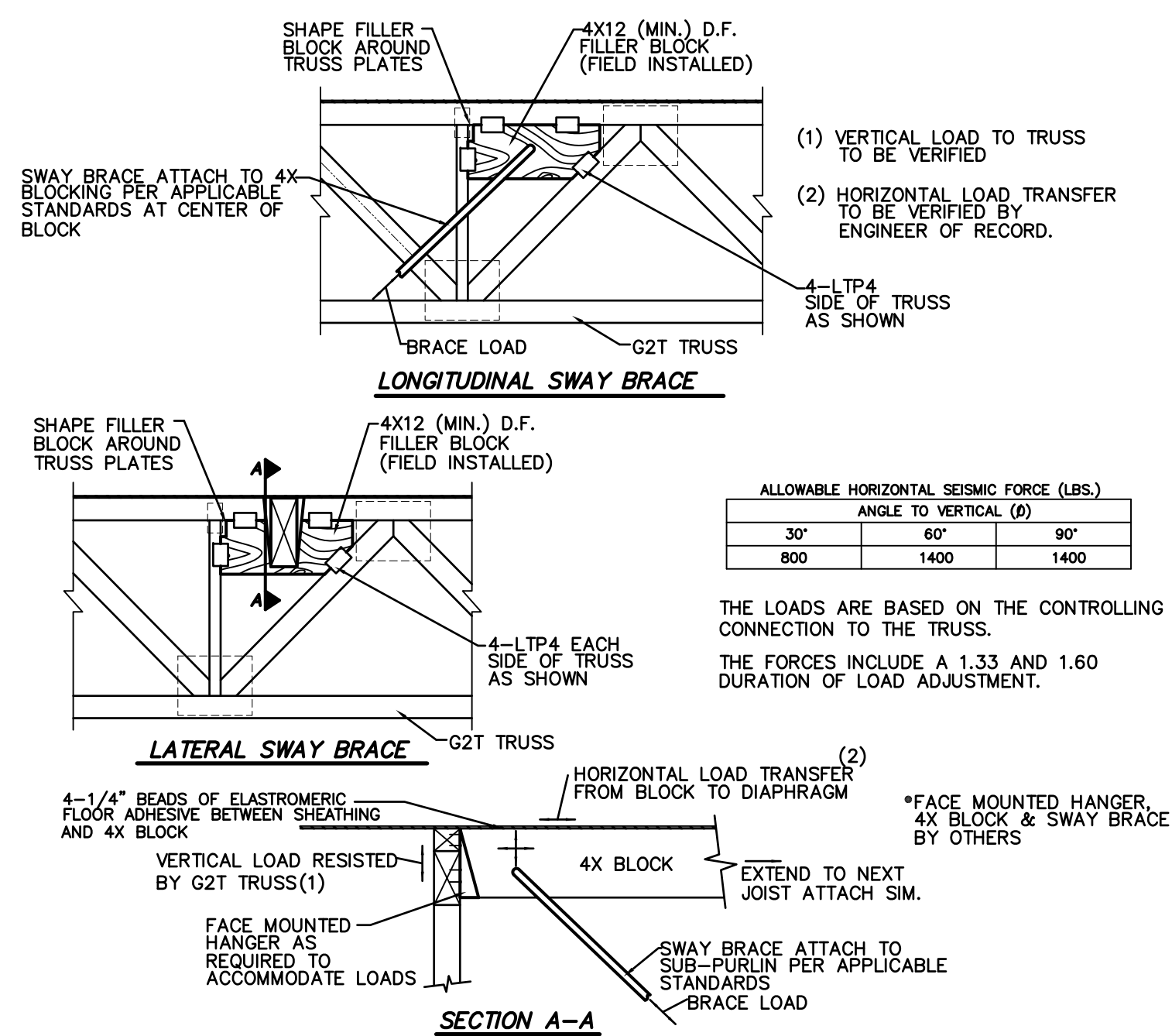
3 NAILING CHART



NOTES:

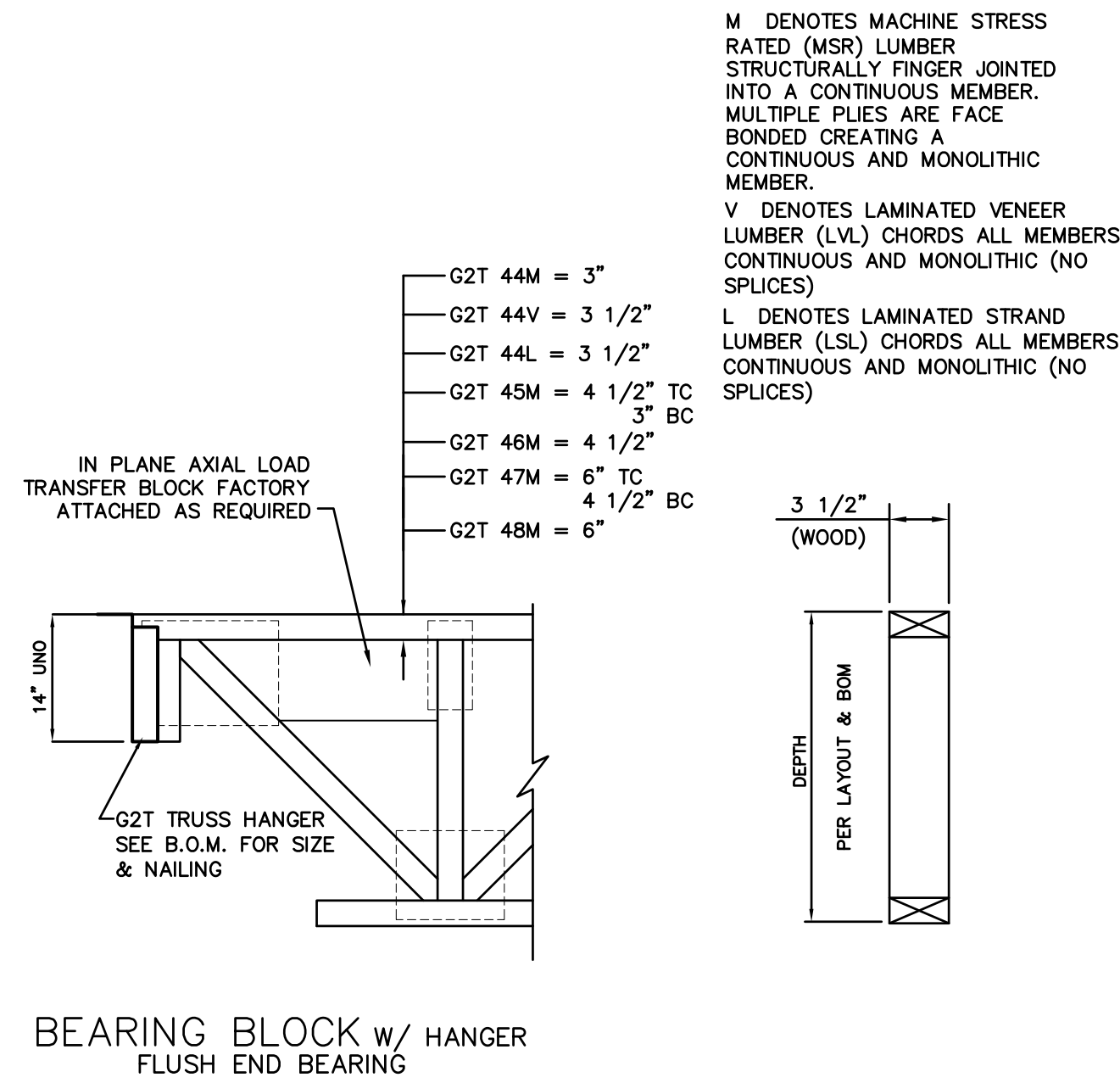
- WOOD SCREWS WITH A MAXIMUM DIAMETER OF 5/16" MAY BE USED ANYWHERE ON THE TOP CHORD OF THE G2T TRUSS WITHOUT PRE-DRILLING A PILOT HOLE, UNLESS NOTED OTHERWISE ON PLANS.
- BOLTS OR LAG SCREWS HAVING A DIAMETER OF 3/8" OR GREATER MUST BE LOCATED IN THE CONNECTOR PLATE AT THE TOP CHORD OF THE G2T TRUSS.
- BOLTS OR LAG SCREWS HAVING A DIAMETER OF 1/2" OR GREATER MUST HAVE PRE-DRILLED HOLES LOCATED IN THE CONNECTOR PLATE AT THE TOP CHORD OF THE G2T TRUSS.
- DO NOT DRILL HOLES, DRIVE HEAVY SCREWS, OR USE LAG BOLTS IN THE BOTTOM CHORD OF G2T TRUSS.
- COORDINATE ATTACHMENT OF SPRINKLER PIPE 4" DIAMETER AND LARGER WITH TRUSS LAYOUT AND CALCULATIONS.
- BOLTS OR LAG SCREWS INTO THE TOP CHORD SHALL BE LIMITED TO A MAXIMUM DIAMETER AS FOLLOWS: 1/2" @ G2T44; 7/8" @ G2T46
- NOTE: ALL CONNECTIONS, CLAMPS, HANGERS, RODS, OR SUPPORT ETC..... SHALL BE IN ACCORDANCE WITH NFPA 13

4 FIRE SPRINKLER ATTACHMENT DETAIL

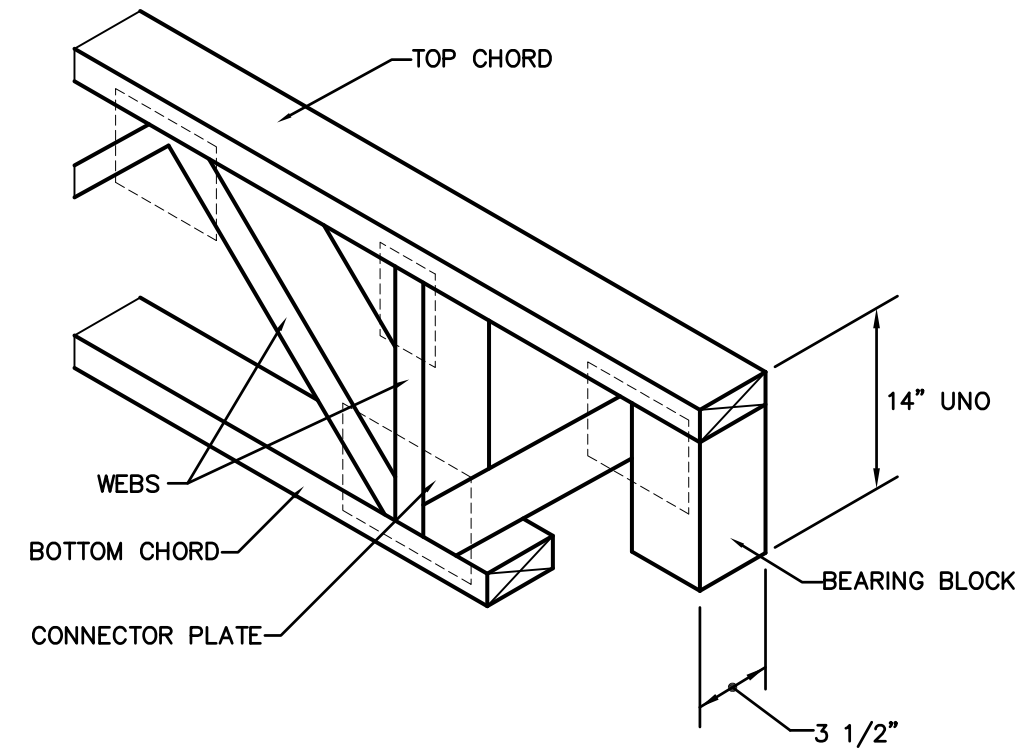


5A FIRE SPRINKLER SWAY BRACE DETAIL

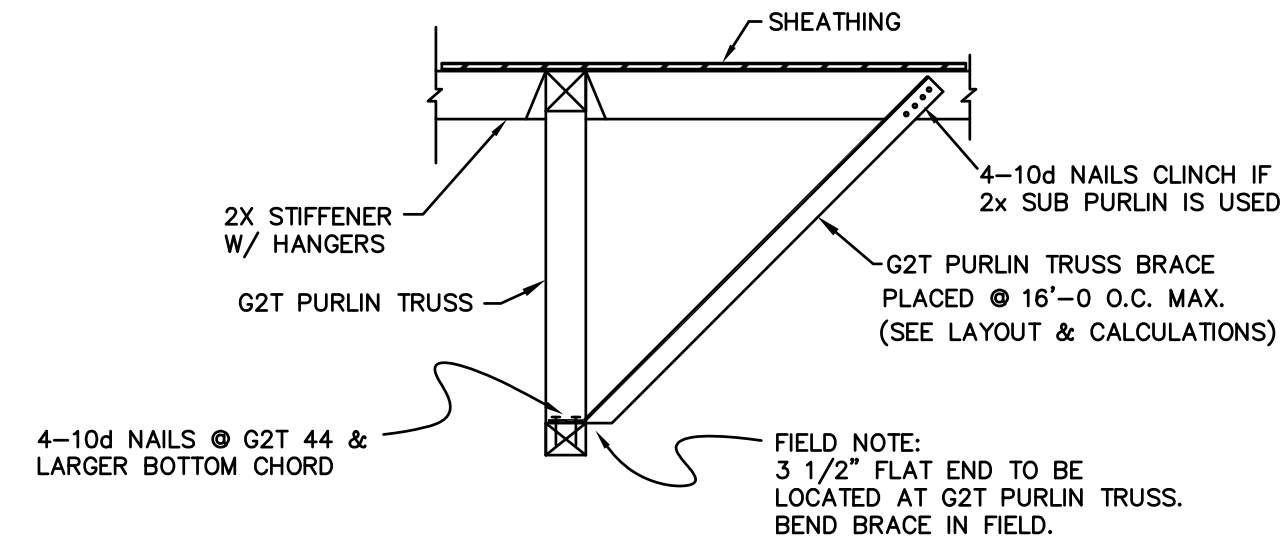
6 G2T TRUSS GENERAL DIMENSIONS



7 G2T TRUSS W/ BEARING BLOCK



8 PERMANENT G2T ERECTION BRACE



G2T PURLIN JOIST PRODUCT COVER SHEET

JOB SITE HANDLING OF G2T OPEN WEB TRUSSES

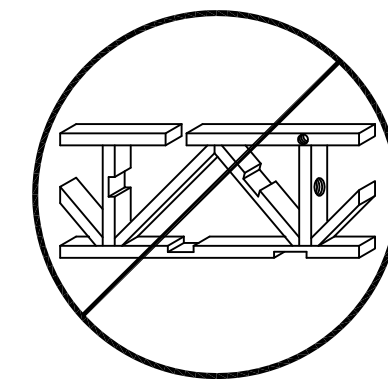
IT IS THE BUILDING CONTRACTOR'S RESPONSIBILITY TO UNLOAD THE G2T TRUSSES FROM THE TRUCK AND FOR ALL HANDLING THEREAFTER. THE G2T OPEN WEB TRUSSES GUARANTEE ONLY APPLIES AS LONG AS THE PRODUCT IS NOT DAMAGED OR ALTERED IN ANY WAY, IS INSTALLED IN A WORKMANLIKE MANNER. G2T TRUSSES WILL BE DELIVERED TO THE JOBSITE IN BUNDLES BANDED TOGETHER FOR HANDLING EASE. TO AVOID DAMAGE, TRUSSES SHOULD BE LEFT IN THESE BUNDLES UNTIL READY FOR INSTALLATION IN THE STRUCTURE. A CARELESS CRANE OR FORKLIFT OPERATOR CAN DAMAGE G2T TRUSSES. NEVER HANDLE G2T TRUSSES FLAT - KEEP IN AN UPRIGHT POSITION.

STORAGE OF G2T OPEN WEB TRUSSES

DURING STORAGE AT THE JOBSITE, KEEP G2T TRUSSES IN AN UPRIGHT POSITION. THE BUNDLES SHOULD BE SUPPORTED ON LEVEL STICKERS TO KEEP THE G2T TRUSSES OUT OF THE MUD AND DIRT. STACKING OF BUNDLES IS PERMITTED IF AN ADEQUATE NUMBER OF STICKERS ARE PROVIDED TO PREVENT DAMAGE AND NORMAL SAFETY PRECAUTIONS ARE FOLLOWED. ALL GLUE USED IN G2T TRUSSES IS WATER PROOF. HOWEVER, LONG EXPOSURE TO WATER AND SUN WILL CAUSE SOME DEGRADATION AND CHECKING OF WOOD. G2T TRUSSES SHOULD RECEIVE THE SAME PROTECTION FROM WEATHER AS OTHER WOOD PRODUCTS.

TYPICAL G2T PROJECT NOTES:

- FOR NOTES, DETAILS, AND DIMENSIONS NOT ON THESE SHOP DRAWINGS, REFER TO PROJECT PLANS.
- SEE BILLS OF MATERIAL FOR ITEMS FURNISHED.
- ALL CLOUDED NOTES, DIMENSIONS, ETC. REQUIRE VERIFICATION AND MUST BE MARKED EITHER "OK" OR THE CORRECT INFORMATION PROVIDED BY CUSTOMER PRIOR TO RETURN TO BEING RETURNED FOR FABRICATION.
- PLEASE BE AWARE THAT ANY CLOUDED ITEMS NOT ACKNOWLEDGED WILL REQUIRE CONTACT WITH RESPONSIBLE PARTIES AND MAY CAUSE DELAY IN THE PROCESSING OF YOUR ORDER.
- PLEASE VERIFY THAT ALL INFORMATION PROVIDED HEREWITH REFLECTS THE LATEST AVAILABLE PROJECT INFORMATION AND THAT ALL G2T TRUSS LENGTHS CORRESPOND WITH ACTUAL FIELD DIMENSIONS PRIOR TO BEING RETURNED FOR FABRICATION.
- ALL BRACING SHOWN IS INTEGRAL TO THE G2T OPEN WEB TRUSS SYSTEM AND IS TEMPORARY OR ERECTION BRACING. THE G2T OPEN WEB TRUSS WILL NOT SAFELY SUPPORT LOADS UNTIL FULLY BRACED, FULLY ATTACHED TO BEARING WALLS OR BEAMS, AND SHEATHING, BY OTHERS IS PROPERLY INSTALLED (SEE LAYOUTS AND DETAILS).
- POINT LOADS THAT EXCEED 100 LBS. AS INDICATED ON THE LAYOUT HEREIN.
- INSTALLATION OF G2T OPEN WEB TRUSSES MUST FOLLOW ANY ADDITIONAL REQUIREMENTS INDICATED ON THE LAYOUTS AND IN THE CALCULATIONS.
- ALL G2T OPEN WEB TRUSSES ARE DESIGNED FOR UNIFORM LOADS AND CONCENTRATED LOADS NOTED ON THESE DRAWINGS AND CALCULATIONS. TEMPORARY CONSTRUCTION LOADS WHICH CAUSE STRESSES BEYOND DESIGN CRITERIA ARE NOT PERMITTED.
- ALL 2X, 4X, 6X ETC. FRAMING TO BE SUPPLIED BY OTHERS, UNO. (FMBO).
- METAL STRAPS AND/OR TIES USED FOR SEISMIC PURPOSES THAT ARE NAILED TO THE TOP OF THE TOP CHORD ARE TO USE 10d NAILING AT NO LESS THAN 3" @ IN A ROW. ACCEPTABLE STRAPS FOR G2T TOP CHORDS ARE LTI, LSTI, MSTI AND PAL.
- G2T OPEN WEB TRUSS ARE NOT DESIGNED TO SUPPORT ANY FIRE SPRINKLER AND/OR MECHANICAL LOADS OTHER THAN WHAT IS SHOWN ON THESE SHOP DRAWINGS, AND OR WHAT HAS BEEN PROVIDED IN THE DESIGN DEAD LOAD(S).
- THE PLACEMENT OF THE MECHANICAL UNITS AND SPRINKLER MAINS ARE TO BE AS NOTED ON THESE SHOP DRAWINGS. THE SUPPORTING TRUSSES HAVE BEEN SPECIFICALLY DESIGNED TO ACCOMMODATE THESE ITEMS. ALL COMPONENTS TRANSFERRING LOADS TO THE TRUSSES SHALL BE DESIGNED AND INSTALLED IN ACCORDANCE WITH THE DETAILS CONTAINED WITHIN THESE DRAWINGS.
- G2T TRUSS DESIGNS ARE IN ACCORDANCE WITH THE CURRENT ADOPTED EDITION OF THE IBC, CBC, AND NATIONAL DESIGN SPECIFICATION, AND CONFORM TO CURRENT ICC-ES REPORT.



DO NOT CUT, DRILL OR NOTCH CHORDS AND WEB MEMBERS

9 G2T TRUSS NOTES

WARNING:

Drilling, sawing, sanding or machining wood products generates wood dust and other substances known to cause cancer. Avoid inhaling dust generated from wood products or use a dust mask or other safeguards for personal protection.

Wood products emit chemicals known to cause birth defects or other reproductive harm.

LEGEND / ABBREVIATIONS

- SEE PROJECT PLANS FOR OTHER ABBREVIATIONS AND SYMBOLS USED.
- DETAIL (ON SHOP DRAWINGS)
- PROJECT PLAN DETAIL (PER PLANS)
- START G2T TRUSS LAYOUT @ o/c SPACING
- STRONGBACK LOCATION
- DIRECTION OF ROOF SLOPE

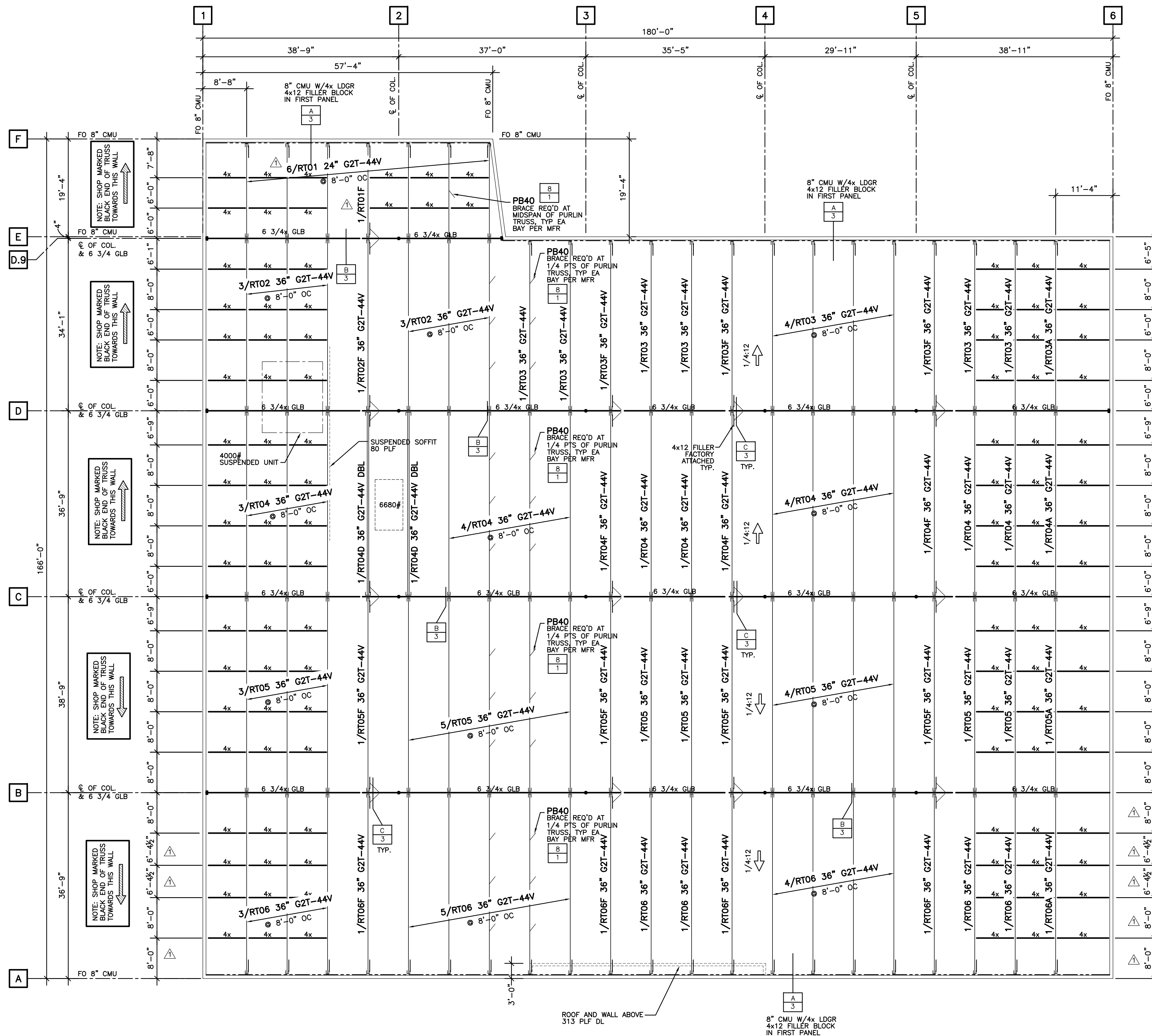
- FMBO = FRAMING MATERIAL BY OTHERS
- VF = VERIFY IN FIELD
- NIC = NOT IN CONTRACT
- UNO = UNLESS NOTED OTHERWISE
- FSML = FIRE SPRINKLER MAIN LINE
- FTF = FACE TO FACE CLEAR SPAN OF TRUSS
- MTL = MANUFACTURED TRUSS LENGTH
- OTCL = OVERALL TOP CHORD LENGTH (SLOPE LENGTH)
- LBS = POUNDS
- PSF = POUNDS PER SQUARE FOOT
- PLF = POUNDS PER LINEAL FOOT
- MFR = MANUFACTURER
- > = GREATER THAN (< = LESS THAN)
- o/c o.c. = ON CENTER (SPACING)
- BOU = BILL(S) OF MATERIAL (8 1/2 x 11 SHEETS)
- DBL = DOUBLE MEMBER (TPL = TRIPLE MEMBER)

REVISIONS	DATE	BY	DESCRIPTION

SMART & FINAL HIGHLAND (G)
BASELINE & CHURCH
HIGHLAND, CA 92346

ENGINEER
B & B ASSOCIATES ARCHITECTURAL ENGINEERS
626-294-1088
ARCHITECT
CARY ARCHITECTS
818-369-7415
CUSTOMER
HERRON CONSTRUCTION
909-947-9820

G2 NATIONAL
Evolution in Wood-Framed Structure.
G2 NATIONAL, LLC
2165 GREEN VISTA DRIVE # 212 SPARKS, NEVADA 89431



PROJECT PLANS USED:	
SHEETS	DATE
ARCHITECTURAL DRAWINGS	
A1.1 THRU A7.3	05/17/17
STRUCTURAL DRAWINGS	
S001 THRU S603	07/05/17
MECHANICAL DRAWINGS	
M1.1 THRU MEMS1.1	02/10/17

DESIGN LOADS	
	ROOF
LIVE LOAD	20 PSF
PART LOAD	- PSF
DEAD LOAD	18 PSF
TOTAL LOAD	38 PSF

DESIGN DEFLECTION:
 $\Delta_{LL} \leq L/240$ $\Delta_{TL} \leq L/180$

LOAD DURATION FACTOR = 1.25
 DESIGN CODE: CBC 2016
 DEAD LOAD BREAKDOWN: 16 PSF TC
 2 PSF BC

110 MPH WIND, EXP. B
 NET WIND UPLIFT: 12 PSF

- ROOF LIVE LOAD REDUCIBLE PER CODE
 - ADDITIONAL 750# MISC POINT LOAD OCCURRING AT ANY ONE TOP CHORD PANEL POINT ALONG THE SPAN, CONCURRENT WITH UNIFORM DEAD LOAD AND LIVE LOAD ONLY.
 - 7500 LBS AXIAL (STRENGTH)
 6400 LBS (ASD)
 - SOLAR ZONE ALLOWANCE IS INCLUDED IN THE DESIGN CRITERIA

NOTE: SPRINKLER LINES GREATER THAN 3" DIAMETER HAVE NOT BEEN CONSIDERED IN THE TRUSS DESIGNS

G2T TRUSS LIST									
MARK	QTY	CLR SPAN	MFR LENGTH	DEPTH	HANGER (BLACK END)	HANGER (OTHER END)			
RT01	6	18'-5 1/2"	18'-4 3/4"	24" G2T-44V	BH313X	BH313X	1-4x FILLER		
RT01F	1	18'-5 1/2"	18'-4 3/4"	24" G2T-44V	BH313X	BH313X	2-4x FILLER		
RT02F	1	33'-6 1/4"	33'-5 1/2"	36" G2T-44V	BH313X	BH313X	2-4x FILLER		
RT02	6	33'-6 1/4"	33'-5 1/2"	36" G2T-44V	BH313X	BH313X			
RT03A	1	33'-2 1/2"	33'-1 3/4"	36" G2T-44V	BH313X	BH313X	1-4x FILLER		
RT03F	3	33'-2 1/2"	33'-1 3/4"	36" G2T-44V	BH313X	BH313X	2-4x FILLER		
RT03	10	33'-2 1/2"	33'-1 3/4"	36" G2T-44V	BH313X	BH313X	1-4x FILLER		
RT04A	1	36'-2 1/4"	36'-1 1/2"	36" G2T-44V	BH313X	BH313X			
RT04D	2	36'-2 1/4"	36'-1 1/2"	36" G2T-44V DBL	BH314X-2	BH314X-2	2-4x FILLER		
RT04F	3	36'-2 1/4"	36'-1 1/2"	36" G2T-44V	BH313X	BH313X	2-4x FILLER		
RT04	15	36'-2 1/4"	36'-1 1/2"	36" G2T-44V	BH313X	BH313X			
RT05A	1	38'-2 1/4"	38'-1 1/2"	36" G2T-44V	BH313X	BH313X			
RT05F	4	38'-2 1/4"	38'-1 1/2"	36" G2T-44V	BH313X	BH313X	2-4x FILLER		
RT05	16	38'-2 1/4"	38'-1 1/2"	36" G2T-44V	BH313X	BH313X			
RT06A	1	35'-6 1/2"	35'-5 3/4"	36" G2T-44V	BH313X	BH313X	1-4x FILLER		
RT06F	4	35'-6 1/2"	35'-5 3/4"	36" G2T-44V	BH313X	BH313X	3-4x FILLER		
RT06	16	35'-6 1/2"	35'-5 3/4"	36" G2T-44V	BH313X	BH313X	2-4x FILLER		

KC METALS CONNECTORS ESR-2930					
QTY	MARK	DESCRIPTION	NAILING		REMARKS
			HEADER	JOIST	
178	RH01	BH313X H=14", W=3 5/8"	10-N25	6-N25 (PREDRILL)	SINGLE
4	RH02	BH313X-2 H=14", W=7 1/4"	10-N25	6-N25 (PREDRILL)	DOUBLE

MISC. MATERIAL LIST		
ITEM	QTY	USE
PB40	259	STD G2T B/C BRACING (SEE DETAIL 8/1)

ROOF PRODUCT PLACEMENT PLAN

(REF: S111)
 SCALE: 3/32" = 1'-0"

REVISED FOR CONSTRUCTION

REVISIONS	
1	8-30-17 Per approved as noted drawings & G2 Review
2	
3	
4	
5	

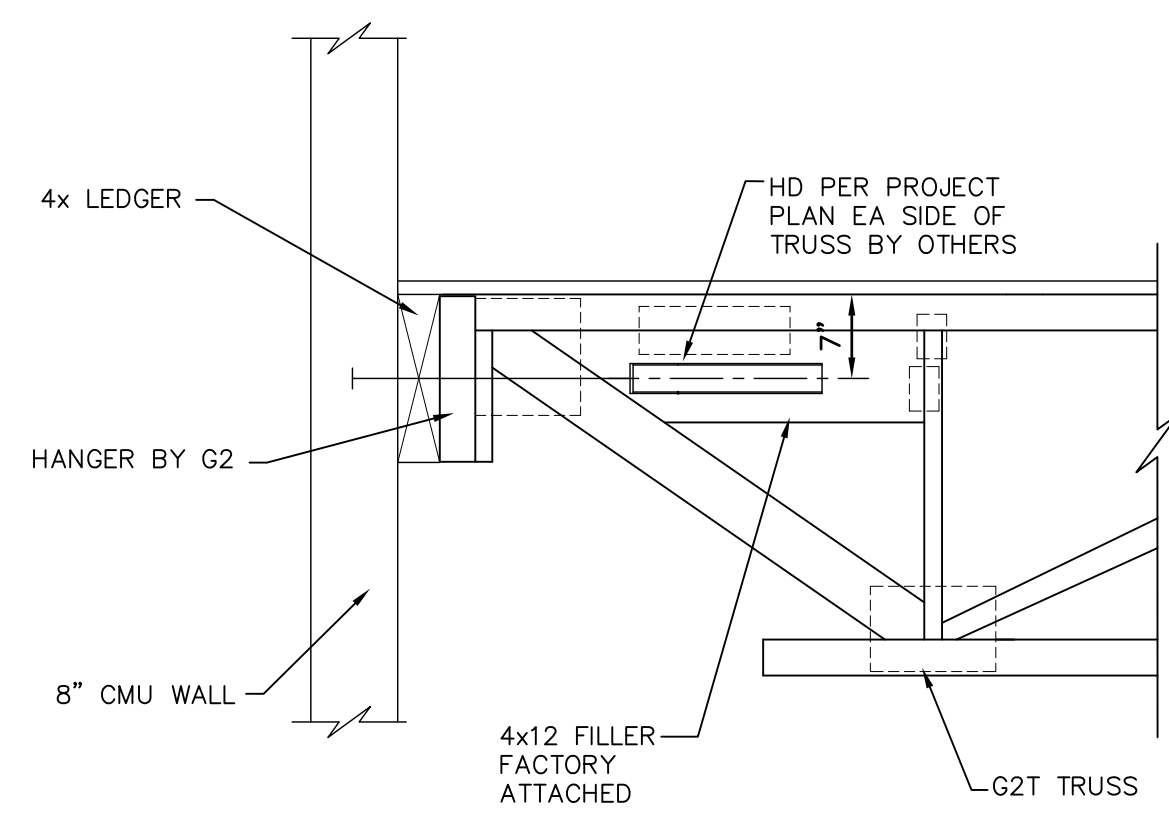
SMART & FINAL HIGHLAND (G)
 BASELINE & CHURCH
 HIGHLAND, CA 92346

ENGINEER
 B & B ASSOCIATES
 626-244-1088

ARCHITECT
 CARY ARCHITECTS
 818-369-7415

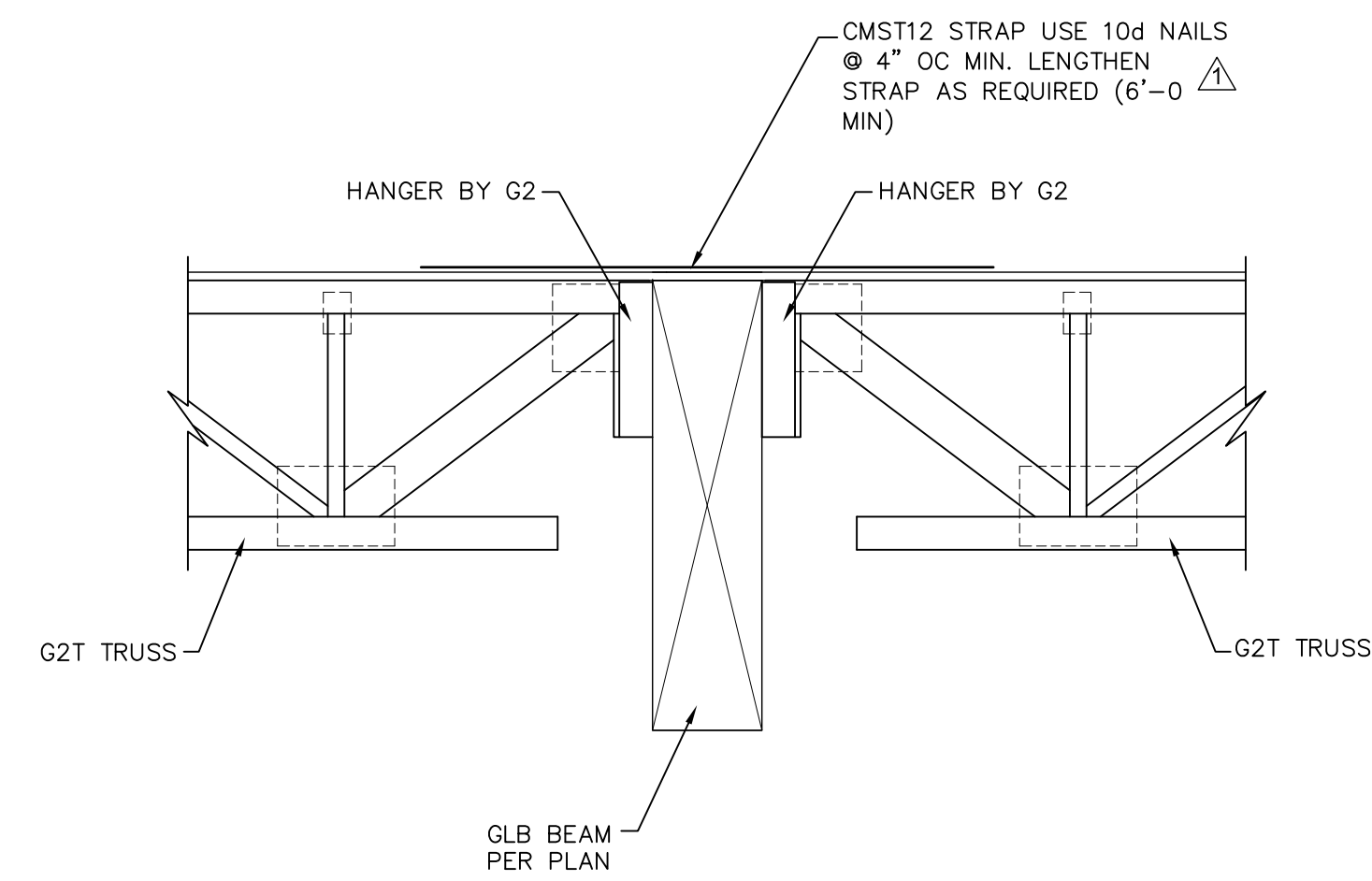
CUSTOMER
 HERRON CONSTRUCTION
 909-947-9820

G2 NATIONAL
 Evolution in Wood-Framed Structure.
 G2 NATIONAL, LLC
 2165 GREEN VISTA DRIVE # 212 SPARKS, NEVADA 89431.



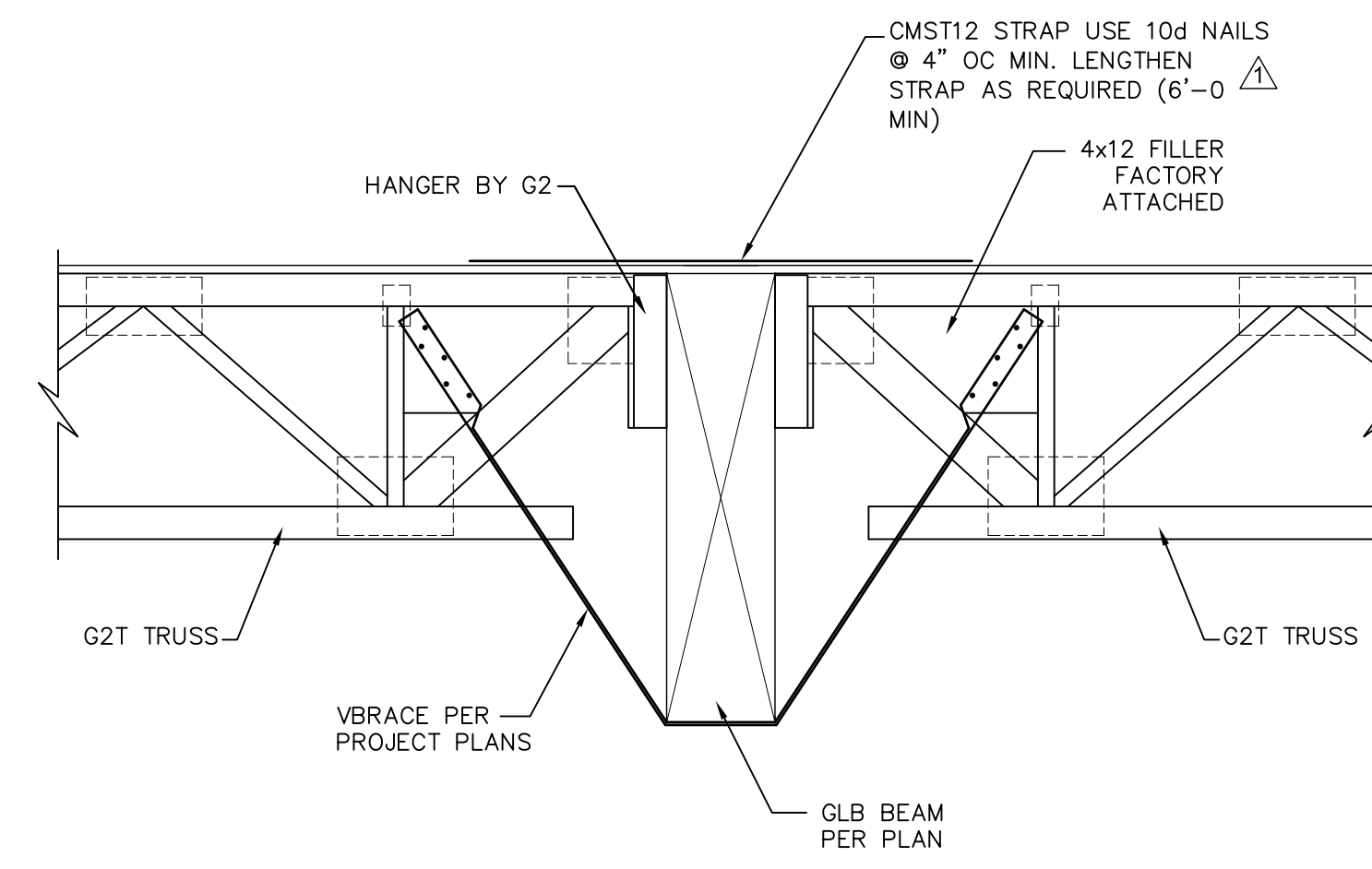
REF: B1/S401

A



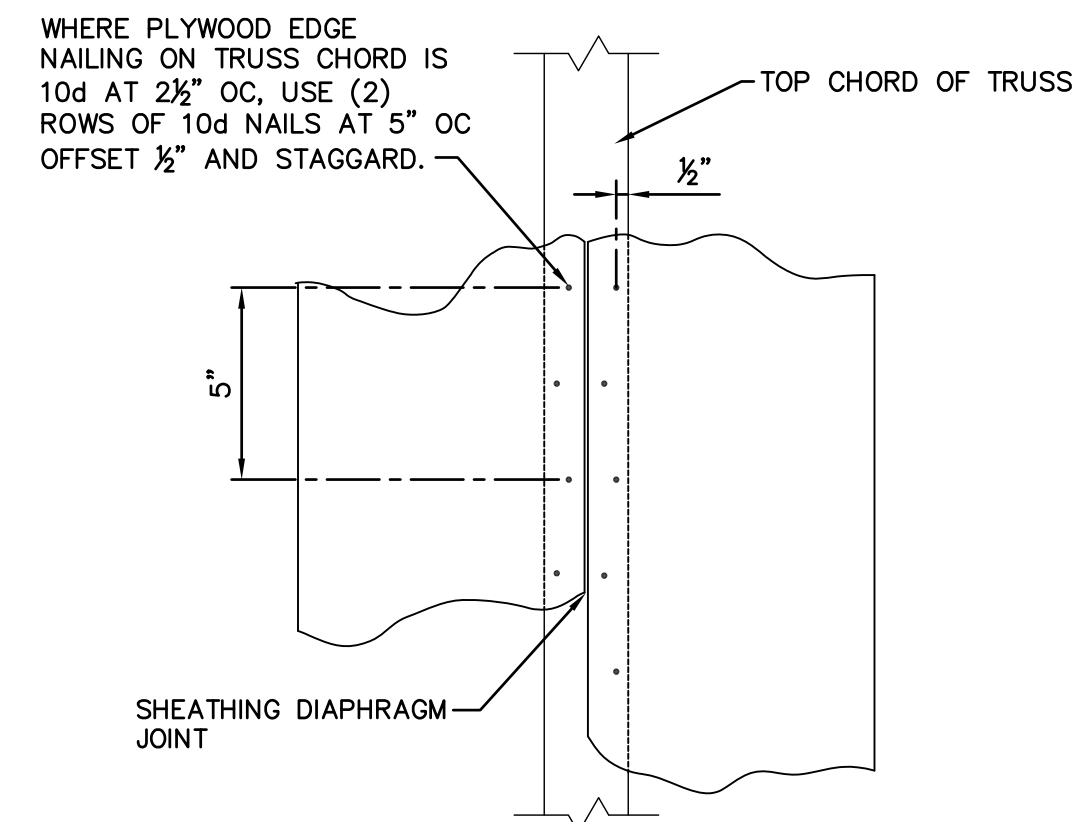
REF: A1/S401

B

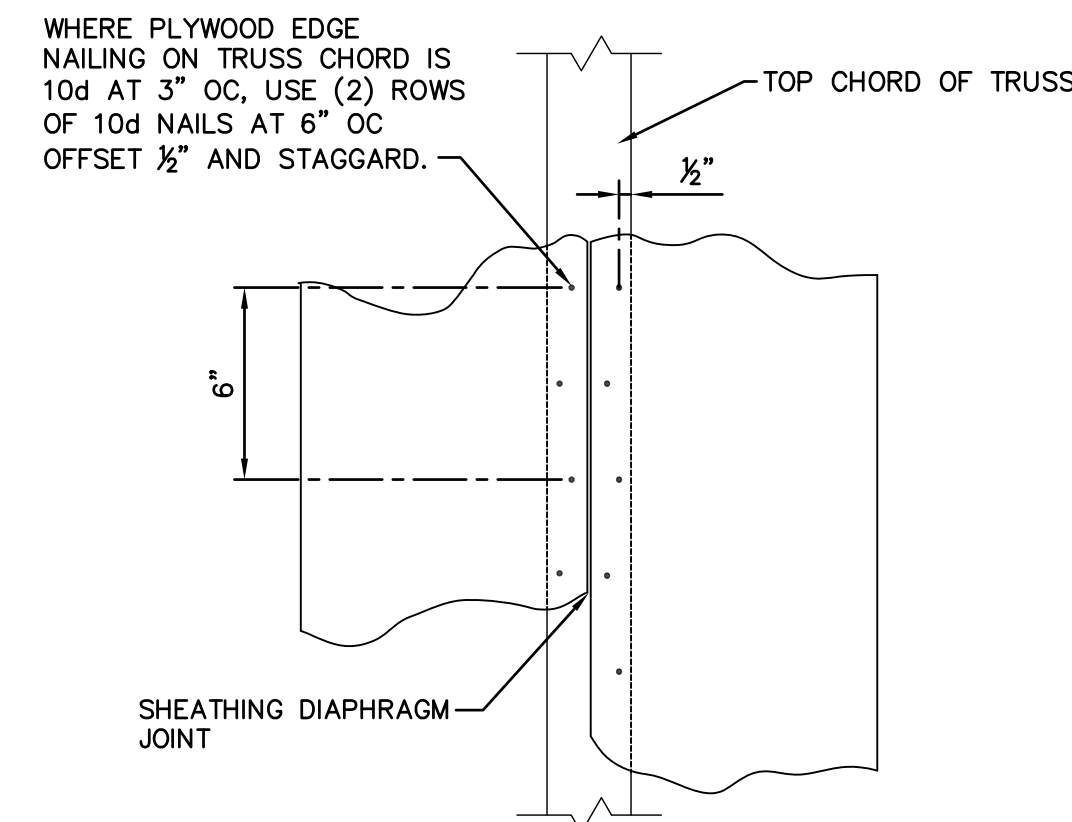


REF: D1/S402

C



PLYWOOD NAILING DIAGRAM (@ 2 1/2" OC)



PLYWOOD NAILING DIAGRAM (@ 3" OC)

D

REVISIONS

8-30-17	

SMART & FINAL HIGHLAND (G)
 BASELINE & CHURCH
 HIGHLAND, CA 92346

ENGINEER
 B & B ASSOCIATES INCORPORATED
 626-204-1088

ARCHITECT
 CARY ARCHITECTS
 818-369-7415

CUSTOMER
 HERRON CONSTRUCTION
 909-941-9820

G2 NATIONAL
 Evolution in Wood-Framed Structure.[®]
 G2 NATIONAL LLC
 2105 GREEN VISTA DRIVE # 212 SPARKS, NEVADA 89431

08/21/2017
 PN-12695
 SHEET
 3 OF 3

REVISED FOR CONSTRUCTION