



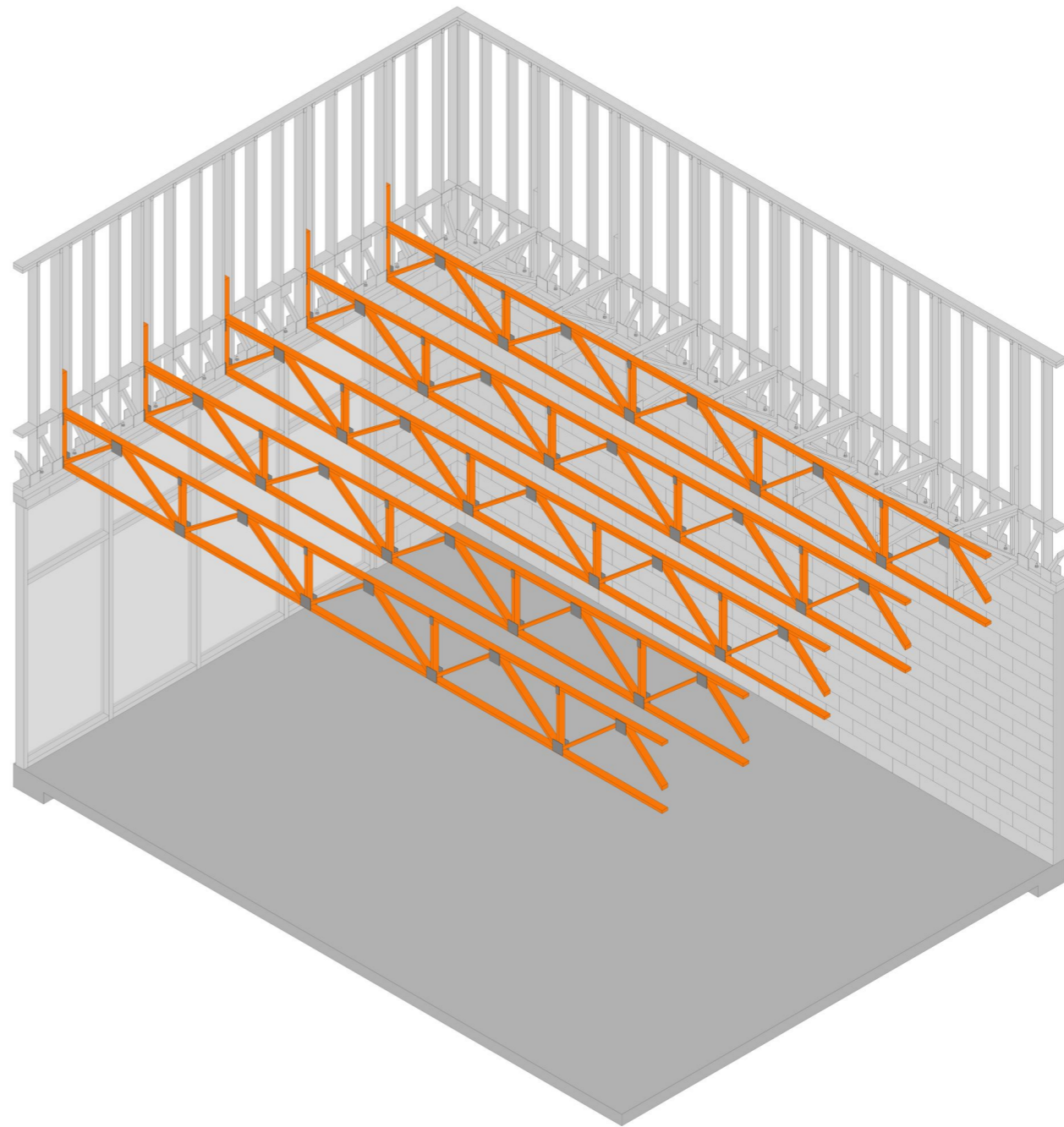
# COMMERCIAL GRADE WOOD TRUSS (PARAPET STYLE)

The G2T-V+™ is the strongest mass-production scalable wood commercial open-web truss ever developed.

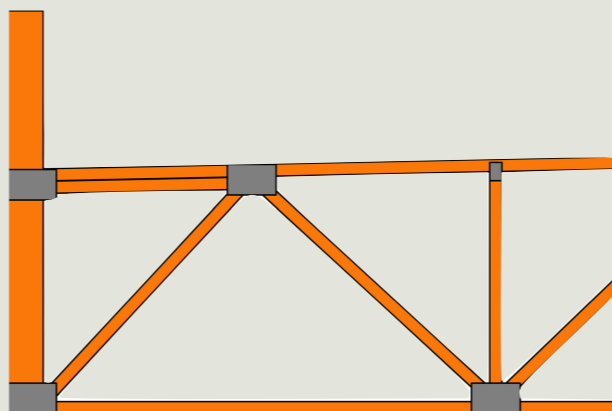
- 3 1/2" minimum width by 2 1/8" minimum depth chords
- Monolithic LVL commercial grade chords
- Tested and proven well beyond the average "pre-fabricated" wood truss
- All G2T-V+™ Trusses can accept high load diaphragm nailing without "crutches"
- Capable of resisting high axial tension forces without "crutches"
- G2T-V+™ integrates our PAL™ and thus marries to our PSP™ (together they create the PRS™)



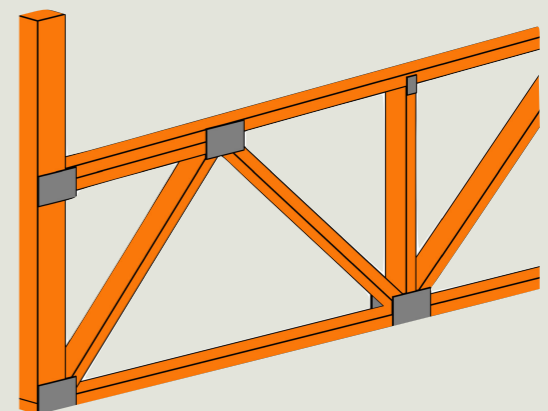
(844) 428-7732 • <http://g2national.com>



↑ G2T-43V+™ W/ PAL™ IN A PRS™ ↓ G2T-43V+™ W/ PAL™ PROFILE



G2T-43V+™



G2T-43V+™